

# 1080P Zoom Lens IR PTZ Camera

IPC742SR9-PZ30-32G



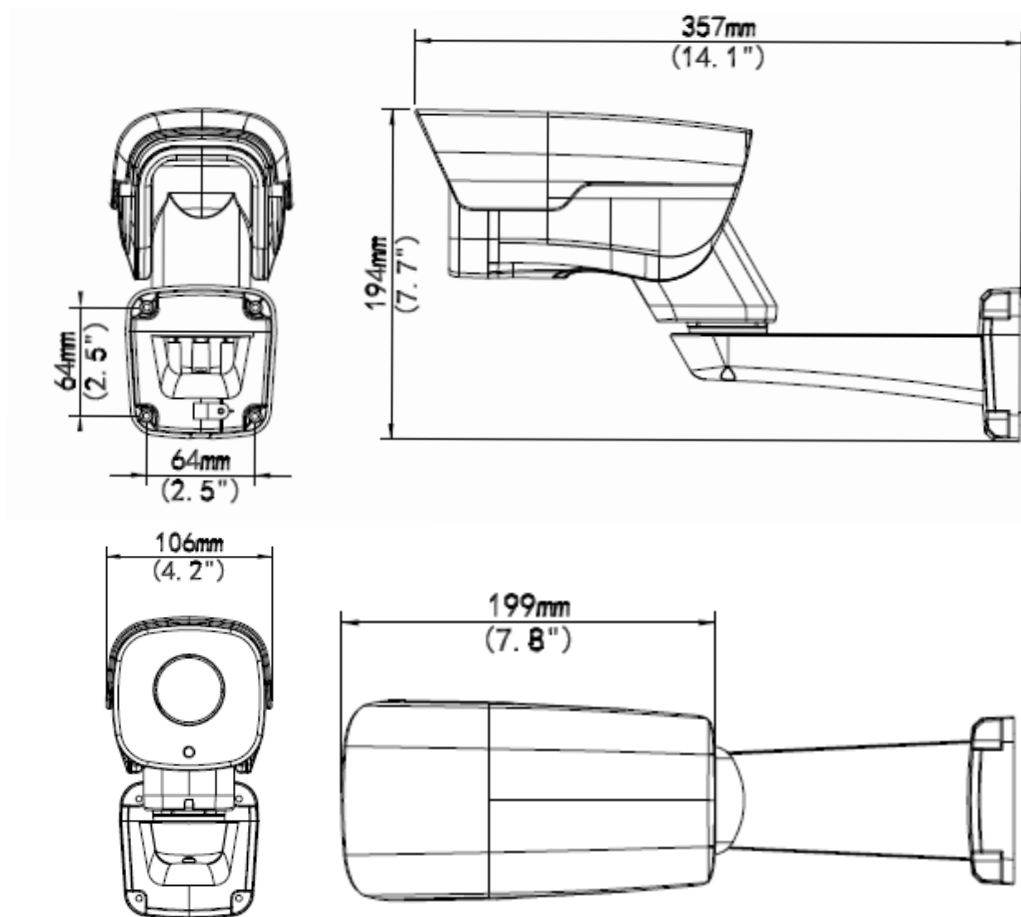
## Specifications

IPC742SR9-PZ30-32G																
<b>Camera</b>																
Sensor	1/3", progressive scan ,2.0 megapixel, CMOS															
Lens	3 ~ 6 mm, AF automatic focusing and motorized zoom lens															
Digital Zoom	16															
Optical Zoom	2															
DORI Distance	<table border="1"> <thead> <tr> <th>Lens</th> <th>Detect(m)</th> <th>Observe(m)</th> <th>Recognize(m)</th> <th>Identify(m)</th> </tr> </thead> <tbody> <tr> <td>3mm</td> <td>67.5</td> <td>27</td> <td>13.5</td> <td>6.8</td> </tr> <tr> <td>6mm</td> <td>135</td> <td>54</td> <td>27</td> <td>13.5</td> </tr> </tbody> </table>	Lens	Detect(m)	Observe(m)	Recognize(m)	Identify(m)	3mm	67.5	27	13.5	6.8	6mm	135	54	27	13.5
	Lens	Detect(m)	Observe(m)	Recognize(m)	Identify(m)											
	3mm	67.5	27	13.5	6.8											
6mm	135	54	27	13.5												
Angle of view(H)	90.9°~51.5°															
Angle of View (V)	39.6°~20.4°															
Angle of View (O)	101.8°~63.3°															
Shutter	Auto/Manual, 1/6s ~ 1/100000s															
Minimum Illumination	Color: 0.02Lux (F1.8, AGC ON) 0 Lux with IR on															
Iris	Auto/Manual, F1.8															
Day/Night	IR-cut filter with auto switch (ICR)															
Digital noise reduction	2D/3D DNR															
S/N	>52dB															
IR Range	Up to 100m (328 ft) IR range															
Defog	Digital Defog															
WDR	DWDR															
<b>Video</b>																
Video Compression	Ultra 265,H.265, H.264, MJPEG															
H.264 code profile	Baseline profile, Main Profile, High Profile															

Frame Rate	Main Stream: 2MP (1920×1080): Max. 30 fps; Sub Stream: 2MP (1920×1080): Max. 30 fps; Third Stream:D1(720×576) : Max. 30 fps
HLC	Supported
BLC	Supported
OSD	Up to 8 OSDs
Privacy Mask	Up to 8 areas
ROI	Up to 8 areas
Motion Detection	Up to 4 areas
<b>Smart</b>	
Behavior Detection	Intrusion, cross line, motion detection
Intrusion	Enter and loiter in a pre-defined virtual region
cross line	Cross a pre-defined virtual line
motion detection	Moving within a pre-defined virtual region
Recognition:	Face detection、 Audio detection
Intelligent Identification	Defocus, Scene Change
Statistical Analysis	People counting
General Function	Watermark, IP Address Filtering, Tampering Alarm, Alarm input, Alarm output, Access Policy, ARP Protection, RTSP Authentication, User Authentication
<b>Audio</b>	
Audio Compression	G.711
Two-way Audio	Supported
Suppression	Supported
Sampling Rate	8 KHZ
<b>Storage</b>	
Edge Storage	Built-in 32 GB eMMC
Network Storage	ANR
<b>Network</b>	
Protocol	IPv4, IGMP, ICMP, ARP, TCP, UDP, DHCP, PPPoE, RTP, RTSP, RTCP, DNS, DDNS, NTP, FTP, UPnP, HTTP, HTTPS, SMTP, 802.1x, SNMP
Compatibility	ONVIF(Profile S), API
<b>Structure</b>	
Pan Range	250°
Pan Speed	0.1°/s ~ 15°/s
	Preset speed: 15°/s
Tilt Range	-50° ~ 50°
Tilt Speed	0.1°/s ~5°/s
	Preset speed: 5°/s
Number of Presets	400
Patrol	Up to 16 patrols, up to 32 presets per patrol <b>Note:</b> The total number of patrols and patterns is 16.

Interface	
Audio I/O	3.5 mm connector
	Input: impedance 35 k $\Omega$ ; amplitude 2 V [p-p]
	Output: impedance 600 $\Omega$ ; amplitude 2 V [p-p]
Alarm I/O	2 / 1
Network	1 RJ45 10M/100M adaptive Ethernet
General	
Power	12 V DC $\pm$ 25%, PoE (IEEE802.3at)
	Power consumption: Max. 17.23 W
Dimensions	357 mm $\times$ 106 mm $\times$ 194 mm (14.1" $\times$ 4.2" $\times$ 7.7")
Weight	1.16 kg (2.6 lb)
Working Environment	-35°C to +60°C (-31°F to 140°F), Humidity:10%~95% RH(non-condensing)
Ingress Protection	IP66

## Dimensions



## Accessories

Installation mode	Accessories	Description
Wall mount	\	Mounting pedestal is included in the Product package
Ceiling mount	\	Mounting pedestal is included in the Product package